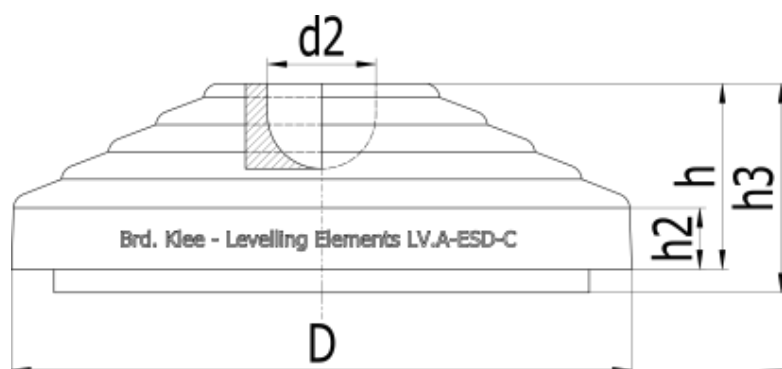


Article number: 2310301272ESD

Description: E+G Antistatic base for levelling elements
LV.A-125-24-ESD-C

Measures



D	= 125
d2	= 24
h	= 46
h2	= 15
h3	= 49
N	= 28000
Weight in g	= 190